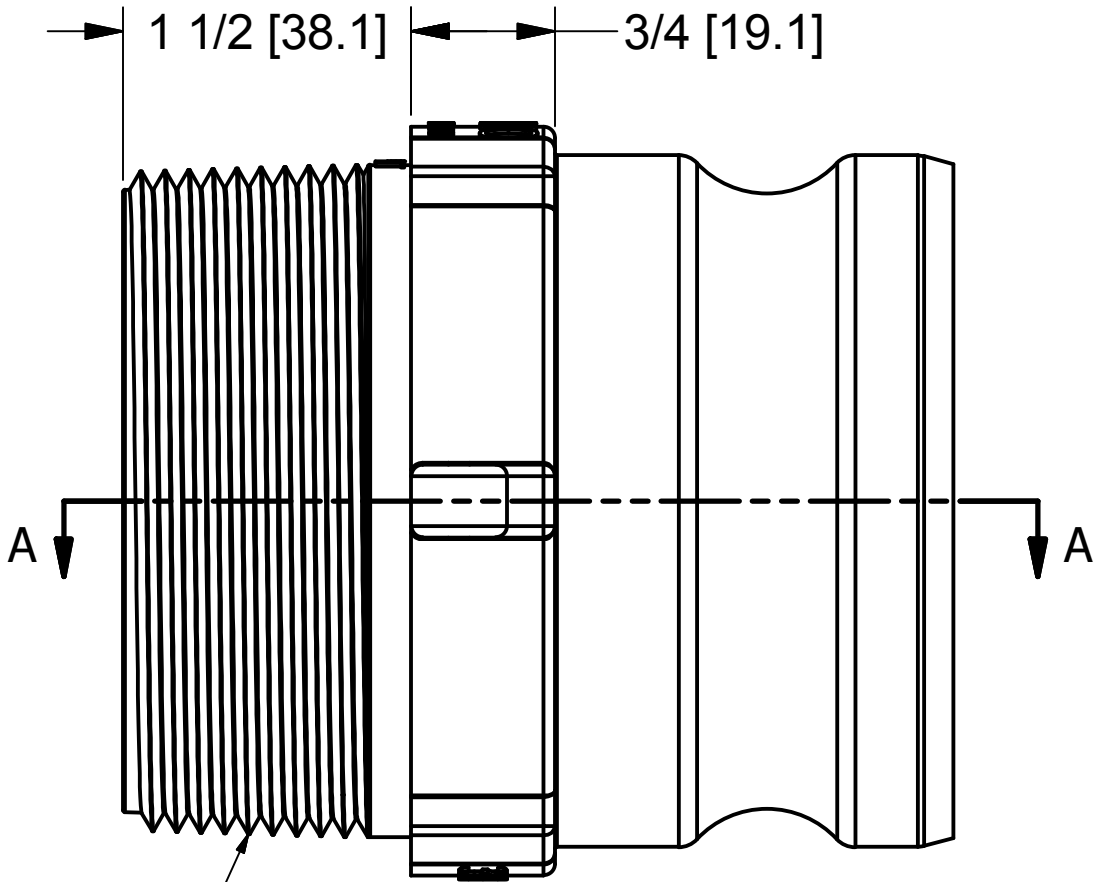
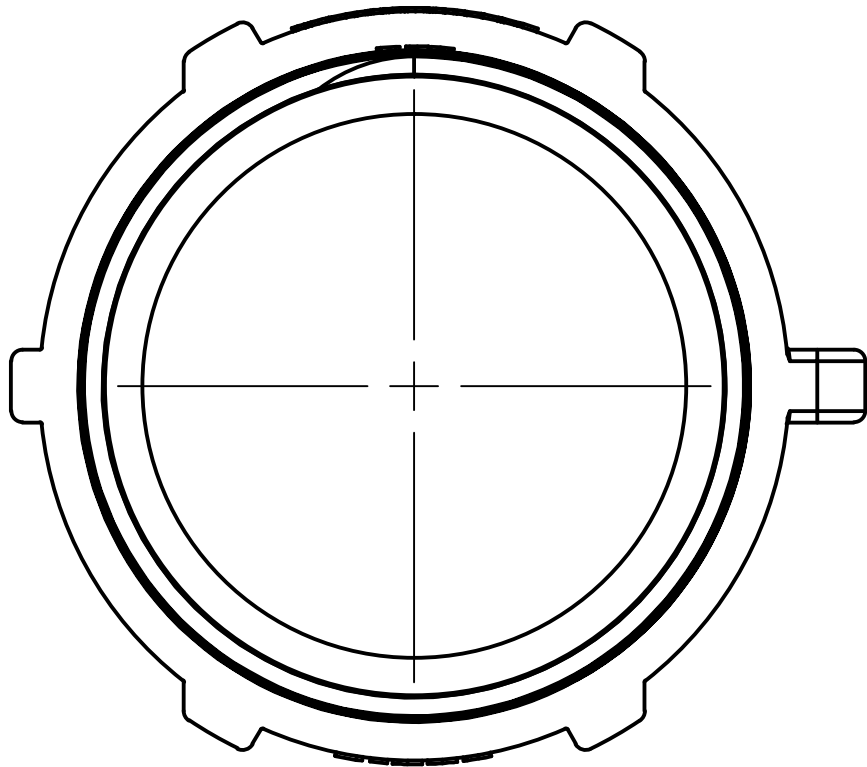
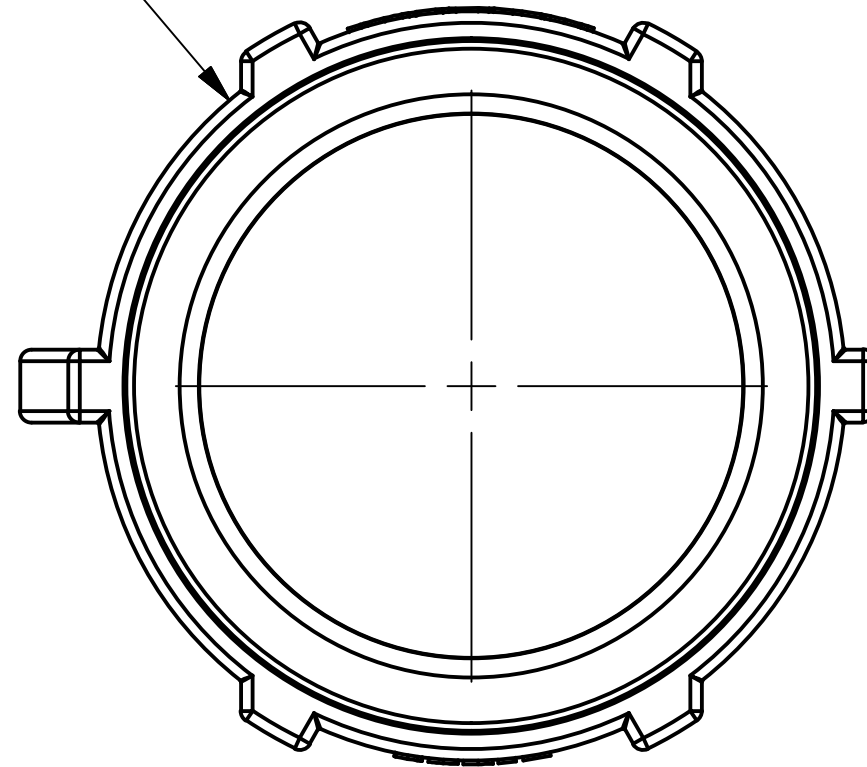


SECTION A-A  
SCALE 1 : 1



Ø3 29/32 [99.1]



3" - 8 NPT  
BLUNT START



THIS DRAWING AND ALL INFORMATION CONTAINED THEREON ARE THE EXCLUSIVE PROPERTY OF BANJO CORPORATION.

**BANJO CORPORATION**  
150 BANJO DRIVE, CRAWFORDSVILLE, IN 47933  
WEB SITE: WWW.BANJOCORP.COM  
E-MAIL: SALES1@BANJOCORP.COM

UNLESS SPECIFICALLY NOTED, THIS DRAWING AND ITEMS SHOWN ON THIS DRAWING ARE SUBJECT TO CHANGE AT ANY TIME.

DESCRIPTION  
**3" F Cam Lever Adapter**

PART NUMBER  
**300F**